

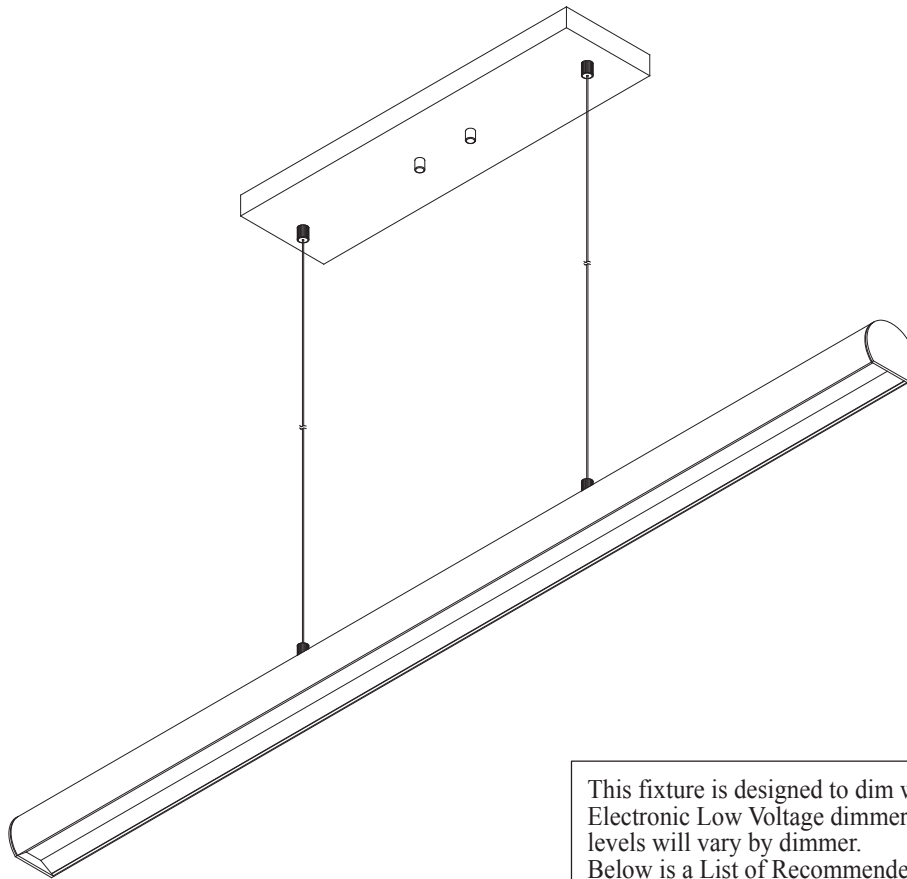


# Contemporary Lighting

PRODUCT NAME: Alumilux

ITEM NUMBER: E41468-SA / E41468-WT

Please consult your electrician for hanging fixture and wiring.

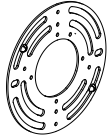


This fixture is designed to dim with an Electronic Low Voltage dimmer. Dimming levels will vary by dimmer. Below is a List of Recommended Dimmers:

- Lutron DVELV-330P
- Lutron MAELV-600M
- Lutron SAELV-153P
- Leviton IPL06-10Z
- Leviton 6674-POW
- Legrand Tru-Universal ADTP703TUW4

Due to inrush current wattage should not exceed 150 watts of product for a 600 watt dimmer.

IMPORTANT: Turn off the power at the main fuse or circuit breaker box before starting installation



(A)

Mounting bracket



(B)

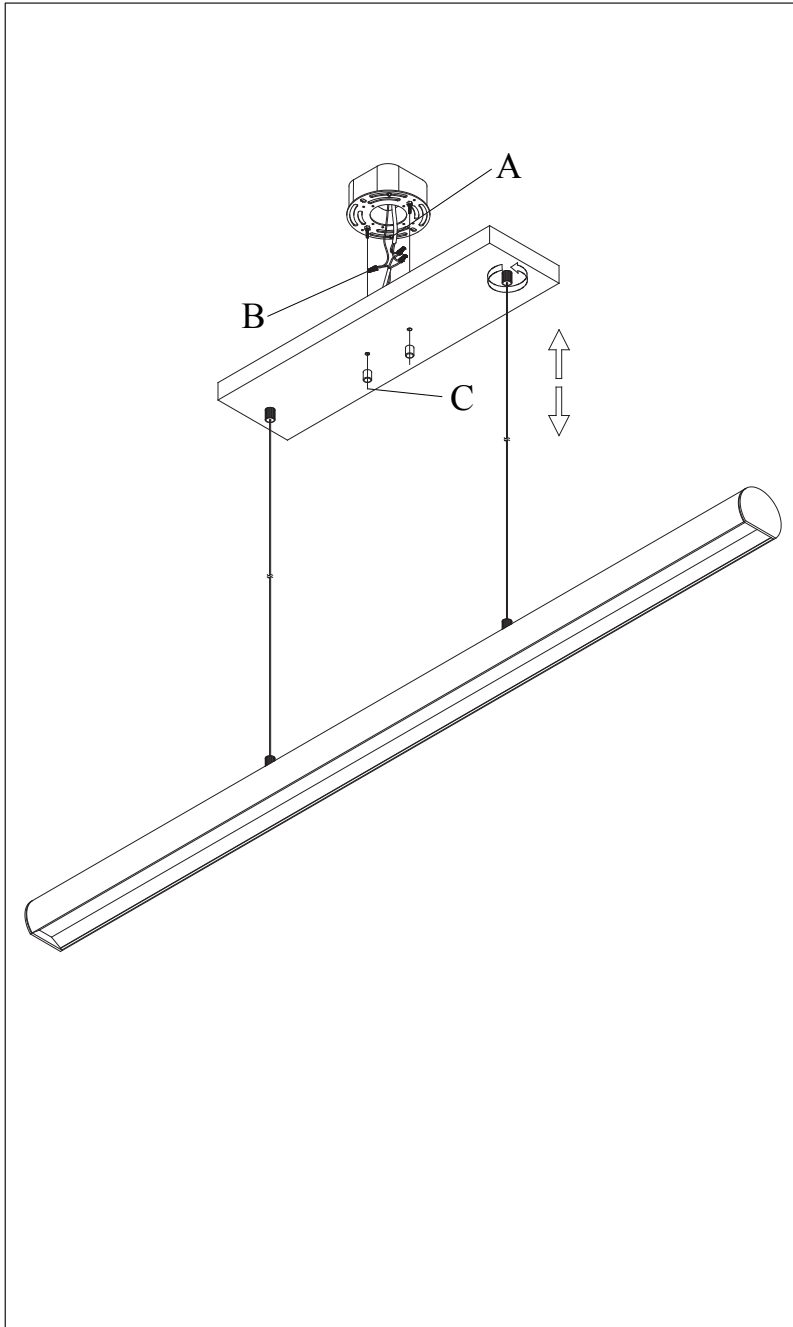
Wire Nuts (x3)



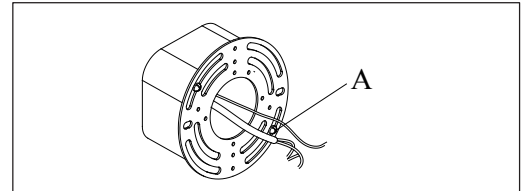
(C)

Decorative nuts (x2)

Locate all hardware & components before discarding packaging

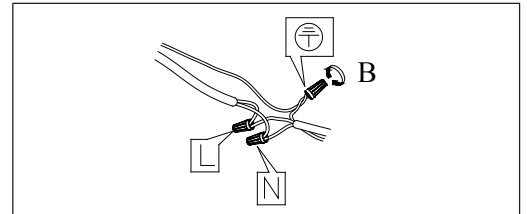


1.)



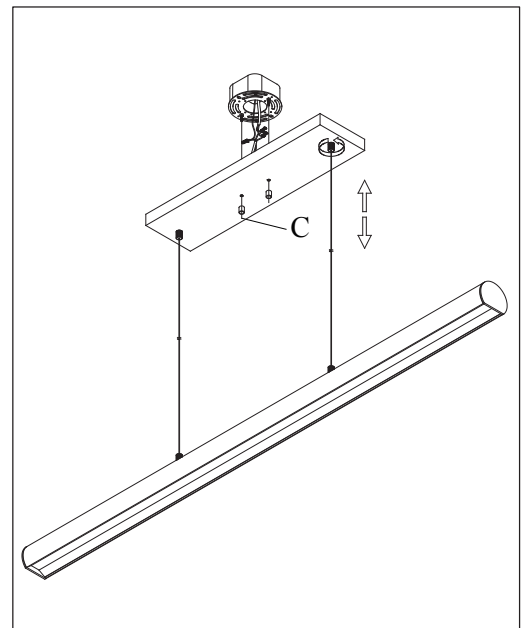
Step.1: Install Mounting bracket(A) to outlet box.

2.)



Step.2: Wire fixture to wires in outlet box.  
Green/Copper wire is for Ground.

3.)



Step.3: Thread on the Decorative nuts(C) to the two studs until the fixture is secured to Mounting bracket(A).

#### Cleaning & Care:

Clean with soft cloth and a mild detergent.  
Do not use abrasive cleaner.