

WARNING: BE SURE THE ELECTRICITY TO THE WIRE YOU ARE WORKING ON IS SHUT OFF; EITHER THE FUSE REMOVED OR THE CIRCUIT BREAKER OFF.

WARNING: USE OF OTHER MANUFACTURERS COMPONENTS WILL VOID WARRANTY, U.L. AND/OR ETL LISTING, AND CREATE A POTENTIAL SAFETY HAZARD.

WARNING: RISK OF ELECTRIC SHOCK. FOR USE IN DRY LOCATIONS ONLY.

WARNING: DO NOT ENERGIZE ELECTRICAL SUPPLY CIRCUIT TO DRIVER(S) UNTIL ALL CONNECTIONS HAVE BEEN MADE AND TESTED ACCORDING TO NATIONAL ELECTRICAL CODES AND ALL LOCAL ELECTRICAL CODES. IF YOU ARE UNCLEAR ON HOW TO PROCEED, CONTACT A QUALIFIED ELECTRICIAN.

CAUTION: RISK OF FIRE: 12V LED TAPE MUST NOT BE USED IN A 24V SYSTEM, and 24V LED TAPE MUST NOT BE USED IN A 12V SYSTEM

CAUTION: THE LOCATION AND NUMBER OF DRIVERS INSTALLED ON RESIDENTIAL CIRCUIT BREAKERS MAY CAUSE THE BREAKERS TO TRIP WHEN THE LIGHTING LOAD IS ENERGIZED. IF THIS OCCURS REPLACE THE RESIDENTIAL CIRCUIT BREAKER WITH A BREAKER RATED FOR HIGH IN-RUSH CURRENT.

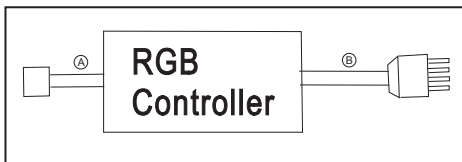
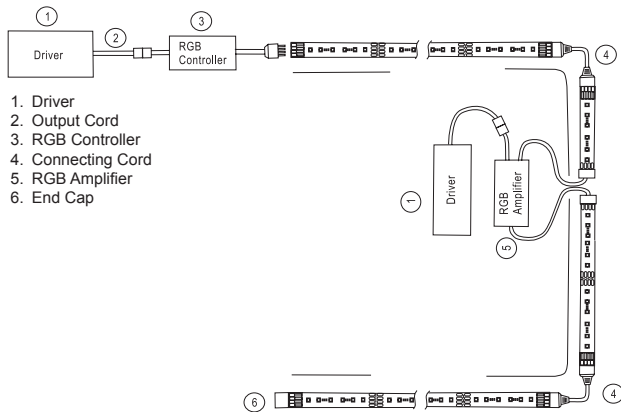
RGB Controller Installation

Select desired location to mount RGB Controller. Not in contact with insulation and away from oven or any other source of intense heat and as close as possible to the lighting system to achieve the most efficient operation. The RGB Controller is installed between the Driver and first piece of tape. The RGB Controller has two cords. The first cord (A) is the power input cord. This power input cord (A) connects to the output cord from the driver. The second cord (B) is the output cord which connects to the first run of tape.

RGB Controller Operation

The RGB Controller comes with a RF remote that is used to control the controller. Please see reverse side for use instructions.

SAMPLE RAINBOW/RGB LAYOUT





REMOTE OPERATION

	Button	Function
StarStrand RGB Controller	A	Mode Choice (11 Modes)
	B	Speed Increase Control
	C	Speed Decrease Control
	D	On/Off

	Mode	Description
StarStrand RGB Controller	1	Static Red
	2	Static Green
	3	Static Yellow
	4	Static Blue
	5	Static Pink
	6	Static Cyan
	7	Static White
	8	Red-Green-Blue Single Color Jump
	9	All Colors Single Color Jump
	10	Red-Green-Blue Gradually Change in Circles
	11	All Colors Gradually Change in Circles

5 YEAR LIMITED WARRANTY

StarStrand™ LED Tape Lighting System components will be warranted for normal use for 5 years while the original purchaser owns it. Normal use means residential non-commercial use for no more than 6 hours per day.

Maxim Lighting and/or ET2 Contemporary Lighting will, at its election, repair, replace or make appropriate adjustment where Maxim Lighting and/or ET2 Contemporary Lighting inspection discloses any such defects occurring in normal usage within five (5) years after date of shipment. Maxim Lighting and/or ET2 Contemporary Lighting is not responsible for removal or installation costs. This warranty is limited to the repair or replacement of the product only and that Maxim Lighting and/or ET2 Contemporary Lighting is not responsible for any labor incurred. Use of incorrect installation methods will void the warranty.

To obtain warranty service contact Maxim Lighting and/or ET2 Contemporary Lighting either through your Dealer, Contractor or E-tailer, or by writing Maxim Lighting International, Attn: Customer Service Department, 253 North Vineland Avenue, City of Industry, CA 95746, USA, or by calling 1-800-486-2946 from within the USA and 1-626-956-4200 outside of the USA.

DISCLAIMER OF IMPLIED WARRANTY

IMPLIED WARRANTIES INCLUDING THAT OF MERCHANTABILITY AND FITNESS FOR A PARTICULAR PURPOSE ARE EXPRESSLY LIMITED IN DURATION TO THE DURATION OF THIS WARRANTY. MAXIM LIGHTING AND/OR ET2 CONTEMPORARY LIGHTING AND/OR SELLER DISCLAIMS ANY LIABILITY FOR SPECIAL, INCIDENTAL OR CONSEQUENTIAL DAMAGES.

Some states/provinces do not allow limitations on how long an implied warranty lasts, or the exclusion or limitation of special, incidental or consequential damages, so these limitations and exclusions may not apply to you. This warranty gives you specific legal rights. You may also have other rights which vary from state/province to state/province.

