



PRODUCT DESCRIPTION

Doughnut shaped rings finished in a beautiful Satin Nickel create a soft contemporary design. LEDs are mounted at an angle to evenly illuminate the entire diffuser a soft diffused light.

FINISHES OPTION

 Satin Nickel (SN)

MATERIAL

Steel, Acrylic

RATINGS

cETLus
Dry Location



ADDITIONAL

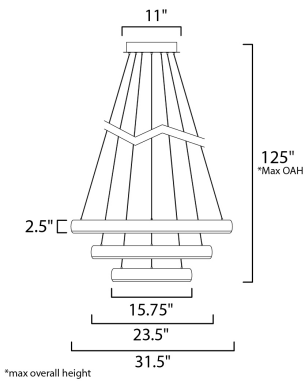
ADJUSTABLE
RATED LIFE 35000 Hours
OPERATING TEMPERATURE:
-20°C (-4°F), 40°C (104°F)

MEASUREMENTS

DIMENSION : 31.5" L x 31.5" W x 2.5" H
MAX OAH : 125" OAH
CANOPY : 11" W x 1.75" H x 11" L
HANGING WEIGHT : 19.6 lb

LAMPING

INPUT VOLTAGE : 120V
LUMENS : 4,950 Rated
BULB : 3 x 90W LED PCB Integrated , 90W Total
BULB INCLUDED : (Integrated)
DIMMABLE : Triac CL
CRI : 80+ CRI
COLOR_TEMP : 3000K



Always consult a qualified electrician before installing any lighting product.



WESTERN DISTRIBUTION CENTER (HEADQUARTER)
253 NORTH VINELAND AVE | CITY OF INDUSTRY, CA 91746
EASTERN DISTRIBUTION CENTER
101 GARDNER PARK | PEACHTREE CITY, GA 30269
P. 626.956.4200 | F. 626.956.4225 | maximlighting.com