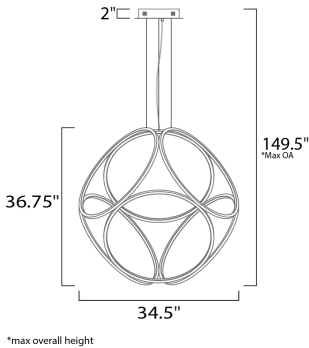




**PRODUCT DESCRIPTION**

Rings in a Rose Gold finish are fused together to create a soft square sculpture. These large scale pieces are not only beautiful but are also very functional with high powered integrated LED.



**MEASUREMENTS**

DIMENSION : 34.5" L x 34.5" W x 36.75" H  
 MAX OAH : 149.5" OAH  
 HANGING WEIGHT : 16.9 lb

**LAMPING**

INPUT VOLTAGE : 120V  
 LUMENS : 4,545 Rated (1,975 Del.)  
 BULB : 1 x 65W LED PCB Integrated , 65W Total  
 BULB INCLUDED : (Integrated)  
 DIMMABLE : Triac CL  
 CRI : 90+ CRI  
 COLOR\_TEMP : 3000K

**FINISHES OPTION**

 Rose Gold (RG)

**MATERIAL**

Stainless Steel

**RATINGS**

cETLus  
 Dry Location



**ADDITIONAL**

ADJUSTABLE  
 SLOPE: 30  
 RATED LIFE 25000 Hours  
 OPERATING TEMPERATURE:  
 -20°C (-4°F), 40°C (104°F)

Always consult a qualified electrician before installing any lighting product.



WESTERN DISTRIBUTION CENTER (HEADQUARTER)  
 253 NORTH VINELAND AVE | CITY OF INDUSTRY, CA 91746  
 EASTERN DISTRIBUTION CENTER  
 101 GARDNER PARK | PEACHTREE CITY, GA 30269  
 P. 626.956.4200 | F. 626.956.4225 | maximlighting.com