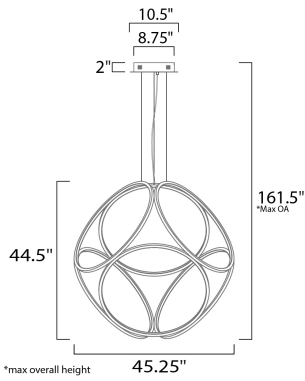




PRODUCT DESCRIPTION

Rings in a Rose Gold finish are fused together to create a soft square sculpture. These large scale pieces are not only beautiful but are also very functional with high powered integrated LED.



MEASUREMENTS

DIMENSION : 45.25" L x 45.25" W x 44.5" H
 MAX OAH : 161.5" OAH
 HANGING WEIGHT : 23.5 lb

LAMPING

INPUT VOLTAGE : 120V
 LUMENS : 6,075 Rated (2,650 Del.)
 BULB : 1 x 97W LED PCB Integrated , 97W Total
 BULB INCLUDED : (Integrated)
 DIMMABLE : Triac CL
 CRI : 90+ CRI
 COLOR_TEMP : 3000K

FINISHES OPTION

 Rose Gold (RG)

MATERIAL

Stainless Steel

RATINGS

cETLus
 Dry Location



ADDITIONAL

ADJUSTABLE
 SLOPE: 30
 RATED LIFE 25000 Hours
 OPERATING TEMPERATURE:
 -20°C (-4°F), 40°C (104°F)

Always consult a qualified electrician before installing any lighting product.



WESTERN DISTRIBUTION CENTER (HEADQUARTER)
 253 NORTH VINELAND AVE | CITY OF INDUSTRY, CA 91746
 EASTERN DISTRIBUTION CENTER
 101 GARDNER PARK | PEACHTREE CITY, GA 30269
 P. 626.956.4200 | F. 626.956.4225 | maximlighting.com