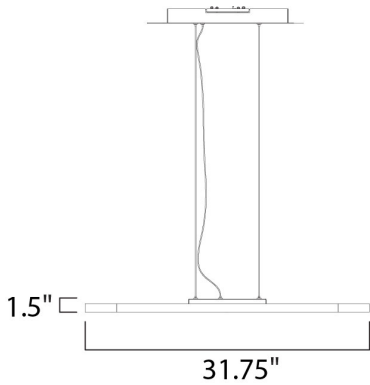




PRODUCT DESCRIPTION

The Moonbeam collection boasts cast metal frames finished in Metallic Silver support sheets of a special acrylic diffuser that is computer designed to distribute even illumination from side mounted LEDs. This low profile design fits perfectly in Contemporary decor and cast a gentle beam of light to the surface below. All fixtures are dimmable and very energy efficient.



MEASUREMENTS

- DIMENSION : 31.75" L x 8" W x 1.5" H
- MAX OAH : 50.75" OAH
- CANOPY : 3.5" W x 2" H x 17.75" L
- HANGING WEIGHT : 12.65 lb
- LAMPING**
- INPUT VOLTAGE : 120V
- LUMENS : 2,500 Rated
- BULB : 1 x 40W LED PCB Integrated , 40W Total
- BULB INCLUDED : (Integrated)
- DIMMABLE : Triac CL
- CRI : 80+ CRI
- COLOR_TEMP : 3000K

FINISHES OPTION

-  Matte Silver (MS)

GLASS

Matte White 11

MATERIAL

Aluminum

RATINGS

cETLus
Location



ADDITIONAL

ADJUSTABLE
RATED LIFE 30000 Hours
OPERATING TEMPERATURE:
-20°C (-4°F), 40°C (104°F)

Always consult a qualified electrician before installing any lighting product.



**Contemporary
Lighting™**

WESTERN DISTRIBUTION CENTER (HEADQUARTER)
253 NORTH VINELAND AVE | CITY OF INDUSTRY, CA 91746
EASTERN DISTRIBUTION CENTER
101 GARDNER PARK | PEACHTREE CITY, GA 30269
P. 626.956.4200 | F. 626.956.4225 | maximlighting.com