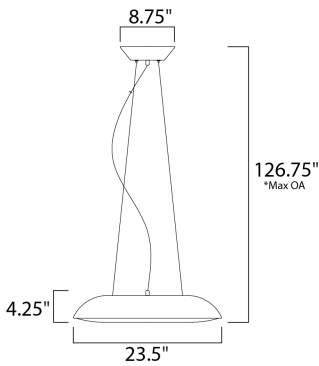




PRODUCT DESCRIPTION

Large scale pendants and ceiling lights finished in Matte Black and diffused through White acrylic are dimpled at the center with a Polished Chrome finial. Very bright and simple design makes this collection suitable for both contemporary and transitional settings.



*max overall height

MEASUREMENTS

DIMENSION : 23.5" L x 23.5" W x 4.25" H
 MAX OAH : 126.75" OAH
 CANOPY : 2.25" H x 8.75" L
 HANGING WEIGHT : 16.1 lb

LAMPING

INPUT VOLTAGE : 120V
 LUMENS : 3,010 Rated (2,666 Del.)
 BULB : 1 x 43W LED PCB Integrated , 43W Total
 BULB INCLUDED : (Integrated)
 DIMMABLE : Triac CL
 CRI : 80+ CRI
 COLOR_TEMP : 3000K
 LIGHTING_DIRECTION : Down

FINISHES OPTION

 Black (BK)

MATERIAL

Steel, Acrylic

RATINGS

cETLus
 Damp Location



ADDITIONAL

ADJUSTABLE
 RATED LIFE 30000 Hours
 OPERATING TEMPERATURE:
 -20°C (-4°F), 40°C (104°F)

PHOTOMETRIC: Report Found Online

Always consult a qualified electrician before installing any lighting product.



WESTERN DISTRIBUTION CENTER (HEADQUARTER)
 253 NORTH VINELAND AVE | CITY OF INDUSTRY, CA 91746

EASTERN DISTRIBUTION CENTER
 101 GARDNER PARK | PEACHTREE CITY, GA 30269

P. 626.956.4200 | F. 626.956.4225 | maxlighting.com