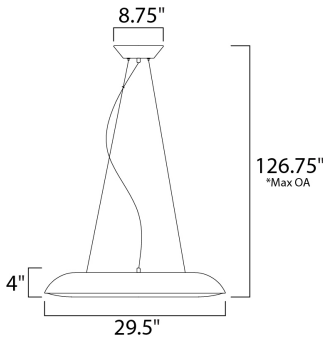




PRODUCT DESCRIPTION

Large scale pendants and ceiling lights finished in Matte Black and diffused through White acrylic are dimpled at the center with a Polished Chrome finial. Very bright and simple design makes this collection suitable for both contemporary and transitional settings.



*max overall height

MEASUREMENTS

- DIMENSION : 29.5" L x 29.5" W x 4" H
- MAX OAH : 126.5" OAH
- CANOPY : 2.25" H x 8.75" L
- HANGING WEIGHT : 18.1 lb

LAMPING

- INPUT VOLTAGE : 120V
- LUMENS : 5,376 Rated (4,608 Del.)
- BULB : 1 x 77W LED PCB Integrated , 77W Total
- BULB INCLUDED : (Integrated)
- DIMMABLE : Triac CL
- CRI : 80+ CRI
- COLOR_TEMP : 3000K
- LIGHTING_DIRECTION : Down

FINISHES OPTION

- Black (BK)

MATERIAL

Steel, Acrylic

RATINGS

cETLus
Damp Location



ADDITIONAL

ADJUSTABLE
RATED LIFE 30000 Hours
OPERATING TEMPERATURE:
-20°C (-4°F), 40°C (104°F)

Always consult a qualified electrician before installing any lighting product.



WESTERN DISTRIBUTION CENTER (HEADQUARTER)
253 NORTH VINELAND AVE | CITY OF INDUSTRY, CA 91746
EASTERN DISTRIBUTION CENTER
101 GARDNER PARK | PEACHTREE CITY, GA 30269
P. 626.956.4200 | F. 626.956.4225 | maxlighting.com