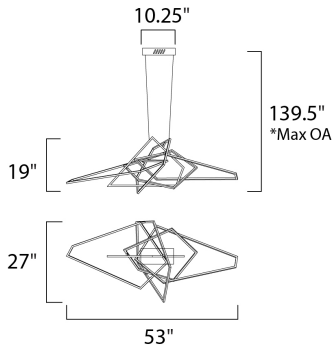




**PRODUCT DESCRIPTION**

Is it lighting or is it Art? The answer is both. Channels of Polished Chrome are skillfully mitered and assembled to create the ultimate conversation piece. LED strips are installed inside the channels to illuminate the room without annoying glare.



\*max overall height

**MEASUREMENTS**

- DIMENSION : 27" L x 53" W x 19" H
- MAX OAH : 139.5" OAH
- CANOPY : 10.25" W x 2.25" H x 10.25" L
- HANGING WEIGHT : 13.2 lb

**LAMPING**

- LUMENS : 4,760 Rated (3,000 Del.)
- BULB : 1 x 68W LED PCB Integrated , 68W Total
- BULB INCLUDED : (Integrated)
- DIMMABLE : Triac CL
- CRI : 90+ CRI
- COLOR\_TEMP : 3000K

**FINISHES OPTION**

- Polished Chrome (PC)

**MATERIAL**

Stainless Steel

**RATINGS**

cETLus  
Dry Location



**ADDITIONAL**

ADJUSTABLE  
OPERATING TEMPERATURE:  
-20°C (-4°F), 40°C (104°F)

Always consult a qualified electrician before installing any lighting product.



Contemporary  
Lighting™

WESTERN DISTRIBUTION CENTER (HEADQUARTER)  
253 NORTH VINELAND AVE | CITY OF INDUSTRY, CA 91746

EASTERN DISTRIBUTION CENTER  
101 GARDNER PARK | PEACHTREE CITY, GA 30269

P. 626.956.4200 | F. 626.956.4225 | maximlighting.com