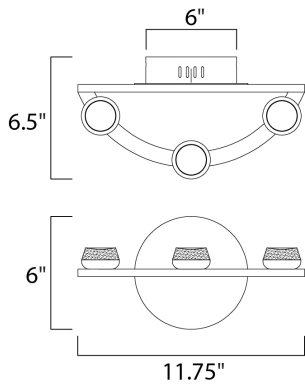


PRODUCT DESCRIPTION

Black Frames suspend Gold painted cups with Opal White diffusers. The integrated LED offers ample light from a small aperture light source. The pendants feature offset rings to bring interest to the overall shape.



MEASUREMENTS

DIMENSION : 11.75" W x 6" H x 6.5" Ext
 BACK PLATE : 6" W x 6" H x 3" HCO
 HANGING WEIGHT : 2.2 lb

LAMPING

INPUT VOLTAGE : 120V
 LUMENS : 504 Rated (270 Del.)
 BULB : 3 x 2.4W LED PCB Integrated , 7W Total
 BULB INCLUDED : (Integrated)
 DIMMABLE : Triac CL
 CRI : 80+ CRI
 COLOR_TEMP : 3000K
 LIGHTING_DIRECTION : Up/Down

FINISHES OPTION

Black / Gold (BKGLD)

GLASS

Clear Acrylic 75

MATERIAL

Steel, Aluminum

RATINGS

cETLus
 Damp Location



ADDITIONAL

INSTALL UP/DOWN: Up/Down
 RATED LIFE 30000 Hours
 OPERATING TEMPERATURE:
 -20°C (-4°F), 40°C (104°F)

Always consult a qualified electrician before installing any lighting product.



WESTERN DISTRIBUTION CENTER (HEADQUARTER)
 253 NORTH VINELAND AVE | CITY OF INDUSTRY, CA 91746
 EASTERN DISTRIBUTION CENTER
 101 GARDNER PARK | PEACHTREE CITY, GA 30269
 P. 626.956.4200 | F. 626.956.4225 | maximlighting.com