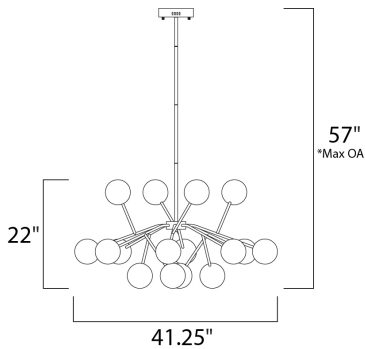




PRODUCT DESCRIPTION

A celestial metal frame finished in your choice of Polished Chrome or Bronze support round Clear glass balls which are illuminated by integrated LED modules. Frosted cone shaped diffusers are added as a design element and softly diffuse the light.



*max overall height

MEASUREMENTS

- DIMENSION : 41.25" L x 41.25" W x 22" H
- MAX OAH : 57" OAH
- CANOPY : 8.25" W x 1.75" H x 8.25" L
- HANGING WEIGHT : 8.8 lb

LAMPING

- INPUT VOLTAGE : 120V
- LUMENS : 2,688 Rated
- BULB : 16 x 2.4W LED PCB Integrated , 38W Total
- BULB INCLUDED : (Integrated)
- DIMMABLE : Triac CL
- CRI : 80+ CRI
- COLOR_TEMP : 3000K

FINISHES OPTION

-  Polished Chrome (PC)

GLASS

Clear 24

MATERIAL

Steel

RATINGS

cETLus
Dry Location



ADDITIONAL

ADJUSTABLE
SLOPE: 30
OPERATING TEMPERATURE:
-20°C (-4°F), 40°C (104°F)

Always consult a qualified electrician before installing any lighting product.



WESTERN DISTRIBUTION CENTER (HEADQUARTER)
253 NORTH VINELAND AVE | CITY OF INDUSTRY, CA 91746
EASTERN DISTRIBUTION CENTER
101 GARDNER PARK | PEACHTREE CITY, GA 30269
P. 626.956.4200 | F. 626.956.4225 | maximlighting.com