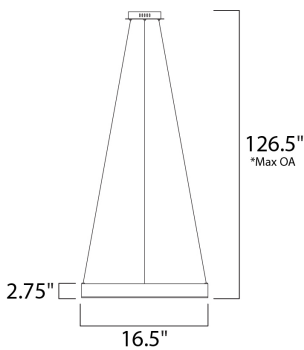




**PRODUCT DESCRIPTION**

Suspended squares of aluminum finished in three beautiful metallic finishes, Brushed Copper, Coffee, or Brushed Aluminum. Driven by high powered integrated LED modules, these classic shapes fit perfectly into today's interiors.



\*max overall height

**MEASUREMENTS**

- DIMENSION : 16.5" L x 16.5" W x 2.75" H
- MAX OAH : 126.5" OAH
- CANOPY : 7.5" W x 1.5" H x 7.5" L
- HANGING WEIGHT : 3 lb

**LAMPING**

- INPUT VOLTAGE : 120V
- LUMENS : 3,000 Rated (1,720 Del.)
- BULB : 1 x 43W LED PCB Integrated , 43W Total
- BULB INCLUDED : (Integrated)
- DIMMABLE : Triac CL
- CRI : 80+ CRI
- COLOR\_TEMP : 3000K

**FINISHES OPTION**

- Coffee (COF)

**MATERIAL**

Aluminum, Acrylic

**ADDITIONAL**

ADJUSTABLE  
OPERATING TEMPERATURE:  
-20°C (-4°F), 40°C (104°F)

Always consult a qualified electrician before installing any lighting product.



WESTERN DISTRIBUTION CENTER (HEADQUARTER)  
253 NORTH VINELAND AVE | CITY OF INDUSTRY, CA 91746  
EASTERN DISTRIBUTION CENTER  
101 GARDNER PARK | PEACHTREE CITY, GA 30269  
P. 626.956.4200 | F. 626.956.4225 | maxlighting.com