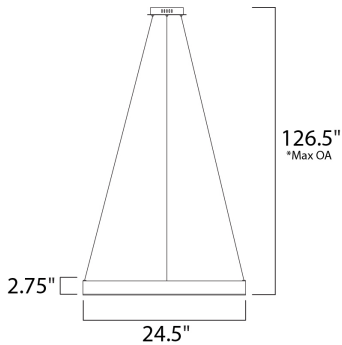




PRODUCT DESCRIPTION

Suspended squares of aluminum finished in three beautiful metallic finishes, Brushed Copper, Coffee, or Brushed Aluminum. Driven by high powered integrated LED modules, these classic shapes fit perfectly into today's interiors.



*max overall height



MEASUREMENTS

- DIMENSION : 24.5" L x 24.5" W x 2.75" H
- MAX OAH : 126.5" OAH
- CANOPY : 8.75" W x 175" H x 8.75" L
- HANGING WEIGHT : 4.5 lb

LAMPING

- INPUT VOLTAGE : 120V
- LUMENS : 4,500 Rated (2,600 Del.)
- BULB : 1 x 65W LED PCB , 65W Total
- BULB INCLUDED : (Integrated)
- DIMMABLE : Triac CL
- CRI : 80+ CRI
- COLOR_TEMP : 3000K

FINISHES OPTION

-  Brushed Aluminum (AL)
-  Coffee (COF)

MATERIAL

Aluminum, Acrylic

RATINGS

cETLus
Dry Location



ADDITIONAL

ADJUSTABLE
OPERATING TEMPERATURE:
-20°C (-4°F), 40°C (104°F)

Always consult a qualified electrician before installing any lighting product.



WESTERN DISTRIBUTION CENTER (HEADQUARTER)
253 NORTH VINELAND AVE | CITY OF INDUSTRY, CA 91746
EASTERN DISTRIBUTION CENTER
101 GARDNER PARK | PEACHTREE CITY, GA 30269
P. 626.956.4200 | F. 626.956.4225 | maxlighting.com