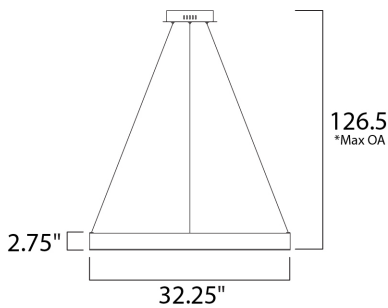




PRODUCT DESCRIPTION

Suspended squares of aluminum finished in three beautiful metallic finishes, Brushed Copper, Coffee, or Brushed Aluminum. Driven by high powered integrated LED modules, these classic shapes fit perfectly into today's interiors.



*max overall height

MEASUREMENTS

- DIMENSION : 32.25" L x 32.25" W x 2.75" H
- MAX OAH : 126.5" OAH
- CANOPY : 8.75" W x 1.75" H x 8.75" L
- HANGING WEIGHT : 6.5 lb

LAMPING

- INPUT VOLTAGE : 120V
- LUMENS : 6,000 Rated (3,400 Del.)
- BULB : 1 x 86W LED PCB , 86W Total
- BULB INCLUDED : (Integrated)
- DIMMABLE : Triac CL
- CRI : 80+ CRI
- COLOR_TEMP : 3000K

FINISHES OPTION

- Satin Copper (SC)

MATERIAL

Aluminum, Acrylic

RATINGS

cETLus
Location



ADDITIONAL

ADJUSTABLE
OPERATING TEMPERATURE:
-20°C (-4°F), 40°C (104°F)

Always consult a qualified electrician before installing any lighting product.



**Contemporary
Lighting™**

WESTERN DISTRIBUTION CENTER (HEADQUARTER)
253 NORTH VINELAND AVE | CITY OF INDUSTRY, CA 91746

EASTERN DISTRIBUTION CENTER
101 GARDNER PARK | PEACHTREE CITY, GA 30269

P. 626.956.4200 | F. 626.956.4225 | maximlighting.com