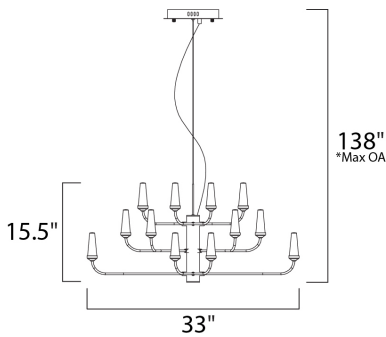




**PRODUCT DESCRIPTION**

Cone shaped acrylic diffusers are supported by arms that branch out of a central stem to create a European-modern look in this chandelier, finished in either Bronze or Polished Chrome. These large scale LED chandeliers would be at home in either dining or entry hall applications.



\*max overall height



**MEASUREMENTS**

DIMENSION : 33" L x 33" W x 15.5" H  
 MAX OAH : 138" OAH  
 HANGING WEIGHT : 6 lb

**LAMPING**

INPUT VOLTAGE : 120V  
 LUMENS : 4,032 Rated  
 BULB : 24 x 2.4W LED PCB Integrated , 58W Total  
 BULB INCLUDED : (Integrated)  
 DIMMABLE : Triac CL  
 CRI : 80+ CRI  
 COLOR\_TEMP : 3000K

**FINISHES OPTION**

-  Bronze (BZ)
-  Polished Chrome (PC)

**GLASS**

Frost White 09

**MATERIAL**

Steel

**RATINGS**

cETLus  
 Location



**ADDITIONAL**

ADJUSTABLE  
 OPERATING TEMPERATURE:  
 -20°C (-4°F), 40°C (104°F)

Always consult a qualified electrician before installing any lighting product.



WESTERN DISTRIBUTION CENTER (HEADQUARTER)  
 253 NORTH VINELAND AVE | CITY OF INDUSTRY, CA 91746

EASTERN DISTRIBUTION CENTER  
 101 GARDNER PARK | PEACHTREE CITY, GA 30269

P. 626.956.4200 | F. 626.956.4225 | maximlighting.com