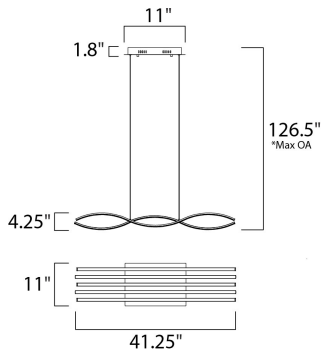


PRODUCT DESCRIPTION

Alternating waves of Polished Chrome mirror each other and create a graceful and soothing look. Strips of LEDs evenly illuminate the space below and are fully dimmable.



*max overall height

MEASUREMENTS

- DIMENSION : 41.25" L x 11" W x 4.25" H
- MAX OAH : 126.5" OAH
- CANOPY : 11" W x 1.8" H x 15.8" L
- HANGING WEIGHT : 10.6 lb

LAMPING

- INPUT VOLTAGE : 120V
- LUMENS : 2,646 Rated
- BULB : 5 x 7.5W LED PCB Integrated , 38W Total
- BULB INCLUDED : (Integrated)
- DIMMABLE : Triac CL
- CRI : 80+ CRI
- COLOR_TEMP : 3000K

FINISHES OPTION

- Polished Chrome (PC)

MATERIAL

Aluminum, Steel, Acrylic

RATINGS

cETLus
Dry Location



ADDITIONAL

ADJUSTABLE
OPERATING TEMPERATURE:
-20°C (-4°F), 40°C (104°F)

Always consult a qualified electrician before installing any lighting product.



WESTERN DISTRIBUTION CENTER (HEADQUARTER)
253 NORTH VINELAND AVE | CITY OF INDUSTRY, CA 91746
EASTERN DISTRIBUTION CENTER
101 GARDNER PARK | PEACHTREE CITY, GA 30269
P. 626.956.4200 | F. 626.956.4225 | maxlighting.com