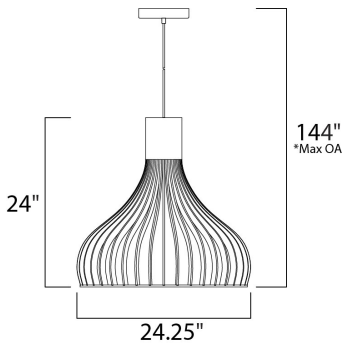


PRODUCT DESCRIPTION

Fins of high quality acrylic are bound together with Polished Chrome trim and illuminated from the top with high power LED. The light from the LED optically travels through the acrylic and mysteriously illuminates the frame as well as the surface below.



*max overall height

MEASUREMENTS

DIMENSION : 24.25" L x 24.25" W x 24" H
 MAX OAH : 144" OAH
 CANOPY : 7.09" W x 1.38" H x 7.09" L
 HANGING WEIGHT : 14.3 lb

LAMPING

INPUT VOLTAGE : 120V
 LUMENS : 1,400 Rated
 BULB : 1 x 20W LED PCB Integrated , 20W Total
 BULB INCLUDED : (Integrated)
 DIMMABLE : Triac CL
 CRI : 80+ CRI
 COLOR_TEMP : 3000K

FINISHES OPTION

 Polished Chrome (PC)

MATERIAL

Steel, Aluminum, Lucite Acrylic

RATINGS

cETLus
 Dry Location



ADDITIONAL

ADJUSTABLE
 OPERATING TEMPERATURE:
 -20°C (-4°F), 40°C (104°F)

Always consult a qualified electrician before installing any lighting product.



Contemporary
 Lighting™

WESTERN DISTRIBUTION CENTER (HEADQUARTER)
 253 NORTH VINELAND AVE | CITY OF INDUSTRY, CA 91746

EASTERN DISTRIBUTION CENTER
 101 GARDNER PARK | PEACHTREE CITY, GA 30269

P. 626.956.4200 | F. 626.956.4225 | maximlighting.com