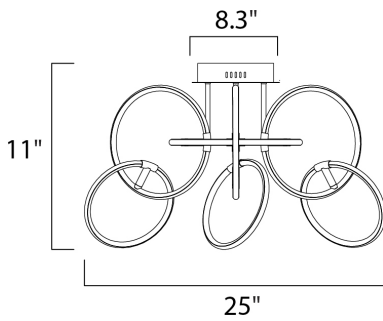




PRODUCT DESCRIPTION

Rings of Black with Polished Chrome accents adjust to create interesting shapes and configurations. Illuminated by LED strips, this collection combines ultimate energy savings and adjustable light dispersion.



MEASUREMENTS

DIMENSION : 25" L x 25" W x 11" H
 CANOPY : 8.3" W x 1.4" H x 8.3" L
 HANGING WEIGHT : 6.16 lb

LAMPING

INPUT VOLTAGE : 120V
 LUMENS : 3,000 Rated
 BULB : 4 x 42W LED PCB Integrated , 42W Total
 BULB INCLUDED : (Integrated)
 DIMMABLE : Triac CL
 CRI : 80+ CRI
 COLOR_TEMP : 3000K

FINISHES OPTION

 Black / Polished Chrome (BKPC)

MATERIAL

Metal, Aluminum, Acrylic

RATINGS

cETLus
 Dry Location



ADDITIONAL

OPERATING TEMPERATURE:
 -20°C (-4°F), 40°C (104°F)

Always consult a qualified electrician before installing any lighting product.



Contemporary
 Lighting™

WESTERN DISTRIBUTION CENTER (HEADQUARTER)
 253 NORTH VINELAND AVE | CITY OF INDUSTRY, CA 91746

EASTERN DISTRIBUTION CENTER
 101 GARDNER PARK | PEACHTREE CITY, GA 30269

P. 626.956.4200 | F. 626.956.4225 | maximlighting.com