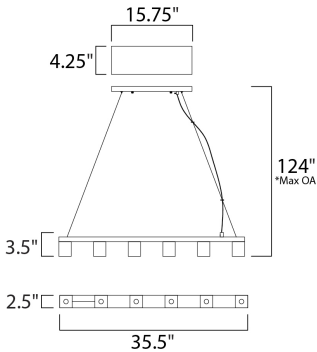




PRODUCT DESCRIPTION

The building blocks of style. This collection comes in a wide variety of applications for the most innovative illumination solutions. The lamp configurations boast thick, Clear/Frosted square glasses encasing G9 LED bulbs. Light blocks are anchored to a highly reflective Polished Chrome frame that reflects their simple elegance.



*max overall height

MEASUREMENTS

DIMENSION : 35.5" L x 2.5" W x 3.5" H
 MAX OAH : 118" OAH
 CANOPY : 4.25" W x 1" H x 15.75" L
 HANGING WEIGHT : 9.26 lb

LAMPING

INPUT VOLTAGE : 120V
 LUMENS : 2,640 Rated
 BULB : 6 x 2.2W LED G9 , 13W Total
 BULB INCLUDED : (Included)
 DIMMABLE : Triac CL
 CRI : 80+ CRI
 COLOR_TEMP : 3000K

FINISHES OPTION

 Polished Chrome (PC)

GLASS

Clear 18

MATERIAL

Steel

RATINGS

cETLus
 Location



ADDITIONAL

ADJUSTABLE
 OPERATING TEMPERATURE:
 -20°C (-4°F), 40°C (104°F)

Always consult a qualified electrician before installing any lighting product.



WESTERN DISTRIBUTION CENTER (HEADQUARTER)
 253 NORTH VINELAND AVE | CITY OF INDUSTRY, CA 91746
 EASTERN DISTRIBUTION CENTER
 101 GARDNER PARK | PEACHTREE CITY, GA 30269
 P. 626.956.4200 | F. 626.956.4225 | maximlighting.com