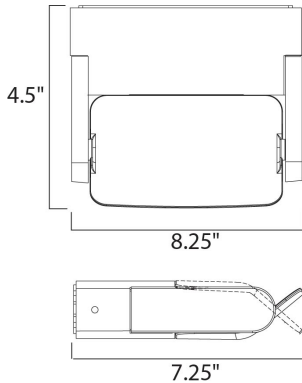


**PRODUCT DESCRIPTION**

Bring the outdoors inside with our line of Architectural high quality interior and exterior wall sconces. European in design and machined out of blocks of solid Aluminum, these sconces have both the look and quality expected for the discriminate buyer. High powered LEDs create dramatic light effects and most are approved for wet location applications.



**MEASUREMENTS**

DIMENSION : 8.25" W x 4.5" H x 7.5" Ext  
 BACK PLATE : 4.25" W x 4.25" H x 4.75" HCO  
 HANGING WEIGHT : 2.2 lb

**LAMPING**

INPUT VOLTAGE : V  
 LUMENS : 210 Rated  
 BULB : 3 x 1W LED PCB Integrated , 3W Total  
 BULB INCLUDED : (Integrated)  
 DIMMABLE :  
 CRI : 80+ CRI  
 COLOR\_TEMP : 3000K

**FINISHES OPTION**

 Platinum (PL)

**ADDITIONAL**

OPERATING TEMPERATURE:  
 -20°C (-4°F), 40°C (104°F)

Always consult a qualified electrician before installing any lighting product.