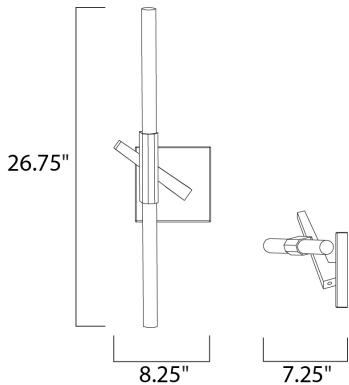


PRODUCT DESCRIPTION

This galactic collection features inter-connected castings finished in Gunmetal, that turn to adjust. Rods of clear acrylic have laser cut lines on the interior which are illuminated by high power LED's enclosed in the castings. Several large scale pieces in the collection designed to fill open spaces in both residential and commercial environments.




MEASUREMENTS

DIMENSION : 8.25" W x 26.75" H x 7.25" Ext
 MAX OAH :
 HANGING WEIGHT : 4 lb

LAMPING

INPUT VOLTAGE : 120V
 LUMENS : 420 Rated (330 Del.)
 BULB : 2 x 3W LED PCB Integrated , 6W Total
 BULB INCLUDED : (Integrated)
 DIMMABLE : Triac CL
 CRI : 80+ CRI
 COLOR_TEMP : 3000K

FINISHES OPTION

 Gunmetal (GM)

GLASS

Clear Acrylic 75

MATERIAL

Steel, Aluminum

RATINGS

cETLus
 Dry Location



ADDITIONAL

ADJUSTABLE
 INSTALL UP/DOWN: All
 RATED LIFE 20000 Hours
 OPERATING TEMPERATURE:
 -20°C (-4°F), 40°C (104°F)

Always consult a qualified electrician before installing any lighting product.



WESTERN DISTRIBUTION CENTER (HEADQUARTER)
 253 NORTH VINELAND AVE | CITY OF INDUSTRY, CA 91746
 EASTERN DISTRIBUTION CENTER
 101 GARDNER PARK | PEACHTREE CITY, GA 30269
 P. 626.956.4200 | F. 626.956.4225 | maximlighting.com