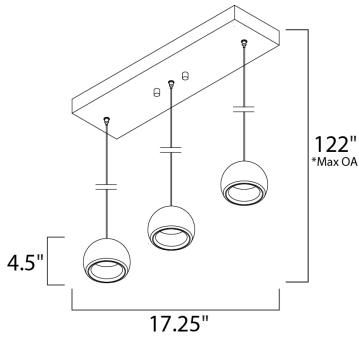


PRODUCT DESCRIPTION



*max overall height

MEASUREMENTS

- DIMENSION : 17.25" L x 4.5" W x 3" H
- MAX OAH : 122" OAH
- CANOPY : 4.5" W x 1" H x 15.75" L
- HANGING WEIGHT : 6.6 lb

LAMPING

- INPUT VOLTAGE : 120V
- LUMENS : 930 Rated (840 Del.)
- BULB : 3 x 4W LED PCB Integrated , 12W Total
- BULB INCLUDED : (Integrated)
- DIMMABLE : Electronic Low Voltage (ELV)
- CRI : 90+ CRI
- COLOR_TEMP : 3000K

FINISHES OPTION

 White (WT)

MATERIAL

Aluminum, Acrylic

RATINGS

cETLus
Location



ADDITIONAL

ADJUSTABLE
RATED LIFE 40000 Hours
OPERATING TEMPERATURE:
-20°C (-4°F), 40°C (104°F)

Always consult a qualified electrician before installing any lighting product.



WESTERN DISTRIBUTION CENTER (HEADQUARTER)
253 NORTH VINELAND AVE | CITY OF INDUSTRY, CA 91746
EASTERN DISTRIBUTION CENTER
101 GARDNER PARK | PEACHTREE CITY, GA 30269
P. 626.956.4200 | F. 626.956.4225 | maximlighting.com