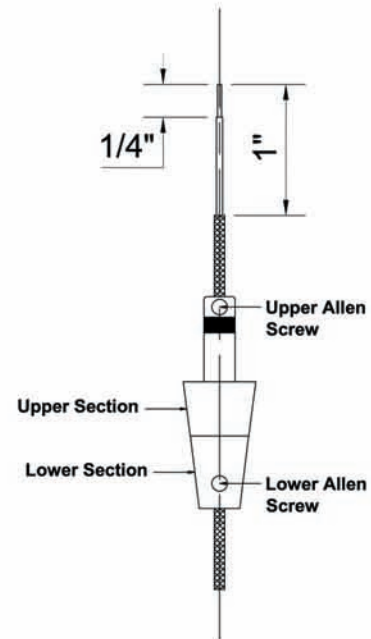




Jack on Cable Installation

1. Measure desired hanging height if fixture.
2. Loosen top and bottom screws with allen wrench supplied so that cable moves freely through jack.
3. Move jack down cable below the point where cable will be cut.
4. Cut cable and strip 1" of the metal braid from end exposing plastic covered wire.
5. Strip ¼" of plastic cover from wire and twist strands together.
6. Carefully pull cable back through the jack until the ends of the stranded wire are even with the top of the jack.
7. Tighten top allen screw securely so to have good contact with the wire.
8. Tighten lower allen screw until you feel screw make contact with inner wire bushing and then tighten an additional 3 full turns of the allen wrench.
9. Test the security of the installation by holding the jack and gently pulling on the cable. The cable should not move. If there is some movement, tighten the screw ½ turn more.



To Shorten Cable

1. Loosen the lower allen screw.
2. Unscrew the lower portion of the jack by turning clockwise and drop down cable.
3. Cut the cable just below the brass bushing on the cable.
4. Loosen the top allen screw and pull out the cut end of the wire out of the top section from below.
5. Insert the extra brass bushing onto the cable and slide down the cable 2"
6. Insert the end of the cable into the bottom of the upper portion of the jack. With a twisting motion push cable into upper portion until it is through the top of the jack.
7. Screw lower portion of jack onto upper portion.
8. Follow steps 3 – 9 above.

