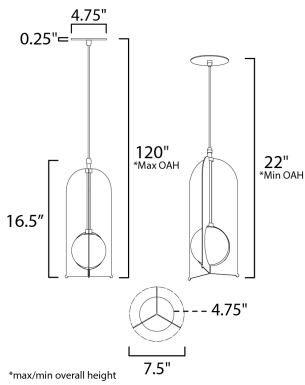




PRODUCT DESCRIPTION

A trio of flat metal panels finished in Brushed Bronze encase a Satin White opal glass shade. Within the glass a conveniently replaceable G9 LED lamp is provided.



MEASUREMENTS

DIMENSION : 7.5" L x 7.5" W x 16.5" H
 MAX OAH :
 CANOPY : 4.75" W x 0.75" H x 4.75" L
 HANGING WEIGHT : 4 lb

LAMPING

INPUT VOLTAGE : 120V
 LUMENS : 450 Rated (380 Del.)
 BULB : 1 x 4W LED G9 , 4W Total
 BULB INCLUDED : (Included)
 DIMMABLE : ELV or Triac CL
 CRI : 90 CRI
 COLOR_TEMP : 3000K

FINISHES OPTION

 Black (BK)

GLASS

Satin White 92

MATERIAL

Steel + Aluminum + Glass

RATINGS

cETLus
 Dry Location



ADDITIONAL

RATED LIFE 25000 Hours
 OPERATING TEMPERATURE:
 -20°C (-4°F), 40°C (104°F)

Always consult a qualified electrician before installing any lighting product.



WESTERN DISTRIBUTION CENTER (HEADQUARTER)
 253 NORTH VINELAND AVE | CITY OF INDUSTRY, CA 91746
 EASTERN DISTRIBUTION CENTER
 101 GARDNER PARK | PEACHTREE CITY, GA 30269
 P. 626.956.4200 | F. 626.956.4225 | maxlighting.com