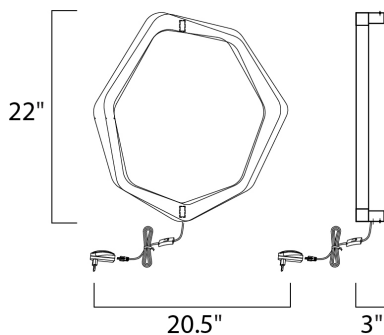


PRODUCT DESCRIPTION

Channels of Polished Chrome stainless steel are formed by hand into an irregular shaped ring. LED modules are then recessed into the pendant frame and diffused through beveled crystals, bouncing light off the irregular surfaces to create a unique lighting effect. Coordinating non-lighted mirror pairs well with modern decor.



MEASUREMENTS

DIMENSION : 20.5" W x 22" H x 3" Ext
 HANGING WEIGHT : 5.06 lb

LAMPING

INPUT VOLTAGE : 120V
 LUMENS : 630 Rated
 BULB : 7 x 2W LED PCB Integrated , 14W Total
 BULB INCLUDED : (Integrated)
 DIMMABLE : No
 CRI : 80+ CRI
 COLOR_TEMP : 3000K
 LIGHTING_DIRECTION : Indirect

FINISHES OPTION

Polished Chrome (PC)

MATERIAL

Stainless Steel

RATINGS

cETLus
 Damp Location
 ADA



ADDITIONAL

INSTALL UP/DOWN: Up
 RATED LIFE 25000 Hours
 OPERATING TEMPERATURE:
 -20°C (-4°F), 40°C (104°F)

Always consult a qualified electrician before installing any lighting product.



Contemporary
 Lighting™

WESTERN DISTRIBUTION CENTER (HEADQUARTER)
 253 NORTH VINELAND AVE | CITY OF INDUSTRY, CA 91746

EASTERN DISTRIBUTION CENTER
 101 GARDNER PARK | PEACHTREE CITY, GA 30269

P. 626.956.4200 | F. 626.956.4225 | maximlighting.com