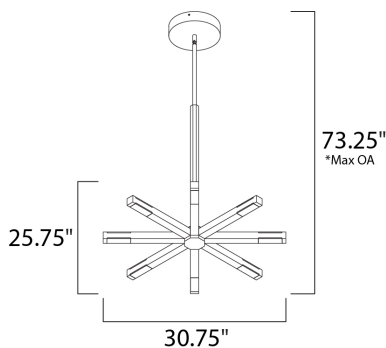




PRODUCT DESCRIPTION

Square tube arms protrude from a polygonal cast hub with recessed acrylic lenses at its ends to conceal LED modules for direct and indirect up-down illumination. Available in both 6 and 8 arm configurations and 3 finish options Matte White, Brushed Aluminum, and Coffee.



*max overall height


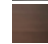

MEASUREMENTS

DIMENSION : 30.75" L x 30.75" W x 25.75" H
 MAX OAH : 73.25" OAH
 CANOPY : 7" W x 1.75" H x 7" L
 HANGING WEIGHT : 9.24 lb

LAMPING

INPUT VOLTAGE : 120V
 LUMENS : 3,570 Rated
 BULB : 16 x 3.2W LED PCB Integrated , 51W Total
 BULB INCLUDED : (Integrated)
 DIMMABLE : Triac CL
 CRI : 80+ CRI
 COLOR_TEMP : 3000K
 LIGHTING_DIRECTION : Up/Down

FINISHES OPTION

-  Brushed Aluminum (AL)
-  Coffee (COF)
-  Matte White (MW)

MATERIAL

Aluminum, Acrylic

RATINGS

cETLus
 Location



ADDITIONAL

ADJUSTABLE
 OPERATING TEMPERATURE:
 -20°C (-4°F), 40°C (104°F)

Always consult a qualified electrician before installing any lighting product.



Contemporary
 Lighting™

WESTERN DISTRIBUTION CENTER (HEADQUARTER)
 253 NORTH VINELAND AVE | CITY OF INDUSTRY, CA 91746
 EASTERN DISTRIBUTION CENTER
 101 GARDNER PARK | PEACHTREE CITY, GA 30269
 P. 626.956.4200 | F. 626.956.4225 | maxlighting.com