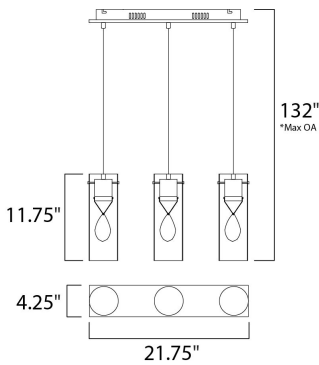




**PRODUCT DESCRIPTION**

Elegant beveled crystal, almond pentagone suspended inside clear glass cylinders, are brought to life by high powered 3W COB LEDs. These LEDs are cleverly concealed inside heat sink castings that are finished in Polished Chrome.



\*max overall height

**MEASUREMENTS**

DIMENSION : 21.75" L x 4.25" W x 11.75" H  
 MAX OAH : 132" OAH  
 HANGING WEIGHT : 9.24 lb

**LAMPING**

INPUT VOLTAGE : 120V  
 LUMENS : 990 Rated  
 BULB : 3 x 3W LED PCB Integrated , 9W Total  
 BULB INCLUDED : (Integrated)  
 DIMMABLE : Triac CL  
 CRI : 80 CRI  
 COLOR\_TEMP : 3000K

**FINISHES OPTION**

 Polished Chrome (PC)

**GLASS**

Clear 18

**MATERIAL**

Glass, Steel, Crystal

**RATINGS**

cETLus  
 Dry Location



**ADDITIONAL**

OPERATING TEMPERATURE:  
 -20°C (-4°F), 40°C (104°F)

Always consult a qualified electrician before installing any lighting product.



WESTERN DISTRIBUTION CENTER (HEADQUARTER)  
 253 NORTH VINELAND AVE | CITY OF INDUSTRY, CA 91746  
 EASTERN DISTRIBUTION CENTER  
 101 GARDNER PARK | PEACHTREE CITY, GA 30269  
 P. 626.956.4200 | F. 626.956.4225 | maximlighting.com