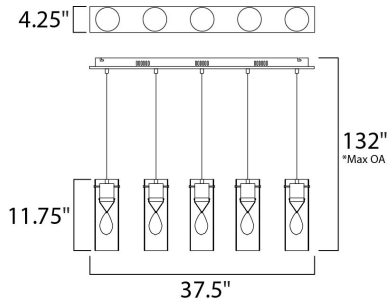




PRODUCT DESCRIPTION

Elegant beveled crystal, almond pentagone suspended inside clear glass cylinders, are brought to life by high powered 3W COB LEDs. These LEDs are cleverly concealed inside heat sink castings that are finished in Polished Chrome.



*max overall height

MEASUREMENTS

DIMENSION : 37.5" L x 4.25" W x 11.75" H
 MAX OAH : 132" OAH
 HANGING WEIGHT : 16.28 lb

LAMPING

INPUT VOLTAGE : 120V
 LUMENS : 1,650 Rated
 BULB : 5 x 3W LED PCB Integrated , 15W Total
 BULB INCLUDED : (Integrated)
 DIMMABLE : Triac CL

FINISHES OPTION

 Polished Chrome (PC)

GLASS

Clear 18

MATERIAL

Glass, Steel, Crystal

RATINGS

cETLus
 Dry Location



ADDITIONAL

ADJUSTABLE
 SLOPE: 120
 OPERATING TEMPERATURE:
 -20°C (-4°F), 40°C (104°F)

Always consult a qualified electrician before installing any lighting product.



Contemporary
 Lighting™

WESTERN DISTRIBUTION CENTER (HEADQUARTER)
 253 NORTH VINELAND AVE | CITY OF INDUSTRY, CA 91746

EASTERN DISTRIBUTION CENTER
 101 GARDNER PARK | PEACHTREE CITY, GA 30269

P. 626.956.4200 | F. 626.956.4225 | maximlighting.com