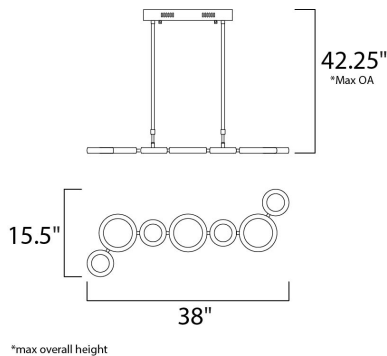




**PRODUCT DESCRIPTION**

A series of round Die Cast rings, finished in Polished Chrome, are edge lit with high quality LEDs. Many of the rings are adjustable, allowing for unique design arrangements and light to be directed where needed.



\*max overall height

**MEASUREMENTS**

DIMENSION : 38" L x 15.5" W x 1" H  
 MAX OAH : 42.25" OAH  
 HANGING WEIGHT : 15.18 lb

**LAMPING**

INPUT VOLTAGE : 120V  
 LUMENS : 5,076 Rated  
 BULB : 7 x 56.4W LED PCB Integrated , 56W Total  
 BULB INCLUDED : (Integrated)  
 DIMMABLE : Triac CL  
 COLOR\_TEMP : 3000K

**FINISHES OPTION**

 Polished Chrome (PC)

**GLASS**

White 01

**RATINGS**

cETLus  
 Location



**ADDITIONAL**

ADJUSTABLE  
 OPERATING TEMPERATURE:  
 -20°C (-4°F), 40°C (104°F)

Always consult a qualified electrician before installing any lighting product.



Contemporary  
 Lighting™

WESTERN DISTRIBUTION CENTER (HEADQUARTER)  
 253 NORTH VINELAND AVE | CITY OF INDUSTRY, CA 91746

EASTERN DISTRIBUTION CENTER  
 101 GARDNER PARK | PEACHTREE CITY, GA 30269

P. 626.956.4200 | F. 626.956.4225 | maximlighting.com