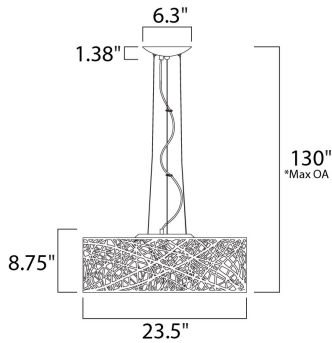




**PRODUCT DESCRIPTION**

Legendary meets contemporary with the Inca Collection. Reminiscent of the mythical tales of Incan treasures, the fixtures offer brilliantly shining crystal enclosed within a precision laser-cut sheath that cannot be duplicated. The glow of the light from within casts a beautifully radiant shine that adorns the outer permeable layer.



\*max overall height



**MEASUREMENTS**

DIMENSION : 23.5" L x 23.5" W x 10" H  
 MAX OAH : 125" OAH  
 CANOPY : 6.3" W x 1.25" H x 6.3" L  
 HANGING WEIGHT : 13.64 lb

**LAMPING**

INPUT VOLTAGE : 120V  
 LUMENS : 4,050 Rated (3,600 Del.)  
 BULB : 9 x 4W LED G9 , 36W Total  
 BULB INCLUDED : (Included)  
 DIMMABLE : Yes  
 CRI : 80+ CRI  
 COLOR\_TEMP : 3000K

**FINISHES OPTION**

-  Bronze (BZ)
-  Polished Chrome (PC)

**GLASS**

Cognac 94

**MATERIAL**

Stainless Steel, Steel

**RATINGS**

cETLus  
 Dry Location



**ADDITIONAL**

OPERATING TEMPERATURE:  
 -20°C (-4°F), 40°C (104°F)

Always consult a qualified electrician before installing any lighting product.



WESTERN DISTRIBUTION CENTER (HEADQUARTER)  
 253 NORTH VINELAND AVE | CITY OF INDUSTRY, CA 91746  
 EASTERN DISTRIBUTION CENTER  
 101 GARDNER PARK | PEACHTREE CITY, GA 30269  
 P. 626.956.4200 | F. 626.956.4225 | maximlighting.com