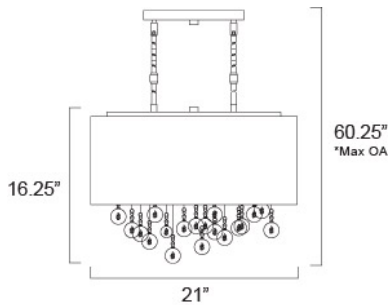




PRODUCT DESCRIPTION

Beveled crystal beads mysteriously appear through the Veil collection's veil of Silver Sheer fabric and shimmer like diamonds in the night. Round bubble crystal suspended at various heights, create a unique accent. Shades are supported by multiple Polished Chrome stems for adjustable height.



MEASUREMENTS

- DIMENSION : 21" W x 16.25" H
- MAX OAH : 60.25" OAH
- CANOPY : 9.84" W x 1.18" H x 9.84" L
- HANGING WEIGHT : 18.34 lb

LAMPING

- INPUT VOLTAGE : 120V
- LUMENS : 4,500 Rated
- BULB : 9 x 40W Xenon G9 , 360W Total
- BULB INCLUDED : (Included)
- DIMMABLE : Yes
- COLOR_TEMP : 2900K

FINISHES OPTION



MATERIAL

Organza Fabric, Steel

RATINGS

cETLus
Dry Location



ADDITIONAL

SLOPE: 120
RATED LIFE 2000 Hours
OPERATING TEMPERATURE:
-20°C (-4°F), 40°C (104°F)

Always consult a qualified electrician before installing any lighting product.



Contemporary
Lighting™

WESTERN DISTRIBUTION CENTER (HEADQUARTER)
253 NORTH VINELAND AVE | CITY OF INDUSTRY, CA 91746

EASTERN DISTRIBUTION CENTER
101 GARDNER PARK | PEACHTREE CITY, GA 30269

P. 626.956.4200 | F. 626.956.4225 | maximlighting.com