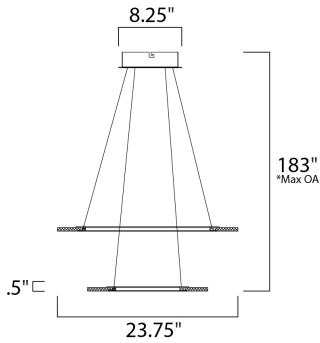




**PRODUCT DESCRIPTION**

A new variation of a very popular series with many different configurations many of which are large scale for commercial applications. Metal rings of Matte Silver support horizontal acrylic diffusers which glow when illuminated by dimmable LED.



\*max overall height

**MEASUREMENTS**

DIMENSION : 23.75" L x 23.75" W x 8" H  
 MAX OAH : 183" OAH  
 CANOPY : 8.25" W x 2" H x 8.25" L  
 HANGING WEIGHT : 12.87 lb

**LAMPING**

INPUT VOLTAGE : 120V  
 LUMENS : 2,520 Rated (1,950 Del.)  
 BULB : 2 x 36W LED PCB Integrated , 36W Total  
 BULB INCLUDED : (Integrated)  
 DIMMABLE : Triac CL  
 CRI : 80+ CRI  
 COLOR\_TEMP : 3000K

**FINISHES OPTION**

 Matte Silver (MS)

**GLASS**

Matte White 11

**MATERIAL**

Aluminum, Acrylic

**RATINGS**

cETLus  
 Dry Location



**ADDITIONAL**

OPERATING TEMPERATURE:  
 -20°C (-4°F), 40°C (104°F)

PHOTOMETRIC: Report Found Online

Always consult a qualified electrician before installing any lighting product.



WESTERN DISTRIBUTION CENTER (HEADQUARTER)  
 253 NORTH VINELAND AVE | CITY OF INDUSTRY, CA 91746  
 EASTERN DISTRIBUTION CENTER  
 101 GARDNER PARK | PEACHTREE CITY, GA 30269  
 P. 626.956.4200 | F. 626.956.4225 | maximlighting.com