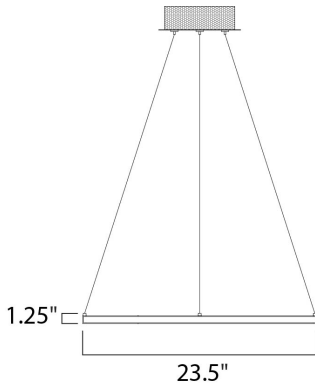




**PRODUCT DESCRIPTION**

Multiple sizes of Polished Chrome hoops of light can be playfully arranged in various configurations for a power presentation. Continuous strips of LEDs are mounted inward towards the center of the hoop for an indirect display of light.



**MEASUREMENTS**

DIMENSION : 23.5" L x 23.5" W x 1.25" H  
 MAX OAH : 125" OAH  
 CANOPY : 8.3" W x 1.2" H x 8.3" L  
 HANGING WEIGHT : 5.06 lb

**LAMPING**

INPUT VOLTAGE : 120V  
 LUMENS : 932 Rated  
 BULB : 1 x 13.3W LED PCB Integrated , 13W Total  
 BULB INCLUDED : (Integrated)  
 DIMMABLE : Triac CL  
 CRI : 80+ CRI  
 COLOR\_TEMP : 3000K

**FINISHES OPTION**

 Polished Chrome (PC)

**MATERIAL**

Aluminum, Acrylic

**RATINGS**

cETLus  
 Dry Location



**ADDITIONAL**

ADJUSTABLE  
 OPERATING TEMPERATURE:  
 -20°C (-4°F), 40°C (104°F)

Always consult a qualified electrician before installing any lighting product.



WESTERN DISTRIBUTION CENTER (HEADQUARTER)  
 253 NORTH VINELAND AVE | CITY OF INDUSTRY, CA 91746  
 EASTERN DISTRIBUTION CENTER  
 101 GARDNER PARK | PEACHTREE CITY, GA 30269  
 P. 626.956.4200 | F. 626.956.4225 | maximlighting.com