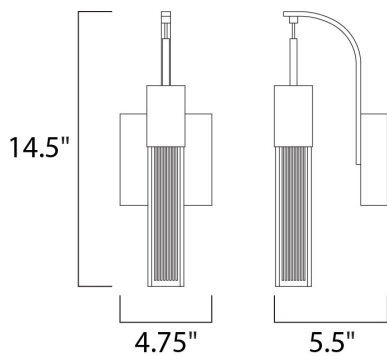




PRODUCT DESCRIPTION

The Fizz Collection's effervescent bubbles encased in rectangular glass cubes come to life when illuminated by high output LEDs. The etched lines add linear detail as they extend from the Polished Chrome fitters.





MEASUREMENTS

DIMENSION : 4.75" W x 14.5" H x 5.5" Ext
 MAX OAH :
 HANGING WEIGHT : 4.4 lb

LAMPING

INPUT VOLTAGE : 120V
 LUMENS : 525 Rated (235 Del.)
 BULB : 1 x 7.5W LED PCB Integrated , 8W Total
 BULB INCLUDED : (Integrated)
 DIMMABLE : ELV or Triac CL
 CRI : 80+ CRI
 COLOR_TEMP : 3000K
 LIGHTING_DIRECTION : Down

FINISHES OPTION

-  Bronze (BZ)
-  Polished Chrome (PC)

GLASS

Etched Bubble 89

MATERIAL

Bubble Glass, Steel

RATINGS

cETLus
 Dry Location



ADDITIONAL

INSTALL UP/DOWN: Up
 RATED LIFE 40000 Hours
 OPERATING TEMPERATURE:
 -20°C (-4°F), 40°C (104°F)

Always consult a qualified electrician before installing any lighting product.



Contemporary
 Lighting™

WESTERN DISTRIBUTION CENTER (HEADQUARTER)
 253 NORTH VINELAND AVE | CITY OF INDUSTRY, CA 91746

EASTERN DISTRIBUTION CENTER
 101 GARDNER PARK | PEACHTREE CITY, GA 30269

P. 626.956.4200 | F. 626.956.4225 | maximlighting.com