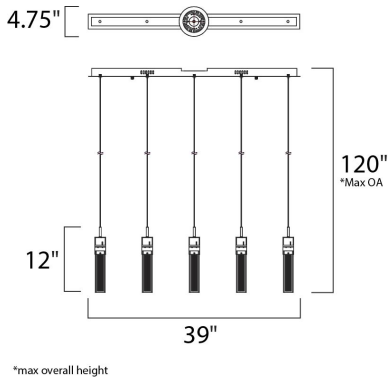


PRODUCT DESCRIPTION

The Fizz Collection's effervescent bubbles encased in rectangular glass cubes come to life when illuminated by high output LEDs. The etched lines add linear detail as they extend from the Polished Chrome fitters.





MEASUREMENTS

- DIMENSION : 39" L x 4.75" W x 12" H
- MAX OAH : 120" OAH
- CANOPY : 1.8" W x 1.5" H x 37.8" L
- HANGING WEIGHT : 17.6 lb

LAMPING

- INPUT VOLTAGE : 120V
- LUMENS : 2,625 Rated (1,180 Del.)
- BULB : 5 x 7.5W LED PCB Integrated , 38W Total
- BULB INCLUDED : (Integrated)
- DIMMABLE : ELV or Triac CL
- CRI : 80+ CRI
- COLOR_TEMP : 3000K

FINISHES OPTION

-  Bronze (BZ)
-  Polished Chrome (PC)

GLASS

Etched Bubble 89

MATERIAL

Bubble Glass, Steel

RATINGS

cETLus
 Dry Location



ADDITIONAL

RATED LIFE 40000 Hours
 OPERATING TEMPERATURE:
 -20°C (-4°F), 40°C (104°F)

Always consult a qualified electrician before installing any lighting product.



WESTERN DISTRIBUTION CENTER (HEADQUARTER)
 253 NORTH VINELAND AVE | CITY OF INDUSTRY, CA 91746

EASTERN DISTRIBUTION CENTER
 101 GARDNER PARK | PEACHTREE CITY, GA 30269

P. 626.956.4200 | F. 626.956.4225 | maximlighting.com