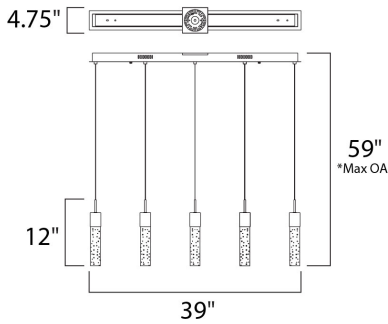




**PRODUCT DESCRIPTION**

Introducing the new and improved version of our previous Fizz II. The new version features a ceramic base LED from LG. With 30% greater light output and dimming capability, the new Fizz IV sets the standard in contemporary illumination.



\*max overall height

**MEASUREMENTS**

- DIMENSION : 4.75" L x 39" W x 12" H
- MAX OAH : 134" OAH
- CANOPY : 1.8" W x 1.5" H x 37.8" L
- HANGING WEIGHT : 15.4 lb

**LAMPING**

- INPUT VOLTAGE : 120V
- LUMENS : 2,625 Rated (1,180 Del.)
- BULB : 5 x 7.5W LED PCB Integrated , 38W Total
- BULB INCLUDED : (Integrated)
- DIMMABLE : Triac CL
- COLOR\_TEMP : 3000K

**FINISHES OPTION**



**GLASS**

Bubble 91

**MATERIAL**

Bubble Glass, Steel

**RATINGS**

cETLus  
Dry Location



**ADDITIONAL**

FLUORESCENT WATTS: 24.6  
INCANDESCENT WATTS: 111.82  
RATED LIFE 40000 Hours  
OPERATING TEMPERATURE:  
-20°C (-4°F), 40°C (104°F)

Always consult a qualified electrician before installing any lighting product.



WESTERN DISTRIBUTION CENTER (HEADQUARTER)  
253 NORTH VINELAND AVE | CITY OF INDUSTRY, CA 91746

EASTERN DISTRIBUTION CENTER  
101 GARDNER PARK | PEACHTREE CITY, GA 30269

P. 626.956.4200 | F. 626.956.4225 | maximlighting.com