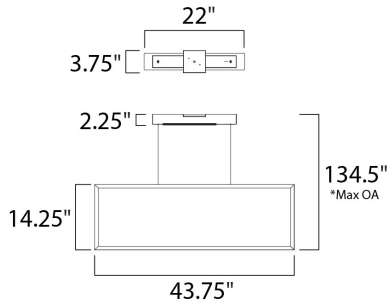




PRODUCT DESCRIPTION

Large scale rectangular forms suspend gracefully in mid-air to fill a large space without a bulky appearance. LEDs are cleverly concealed in both the bottom and the top to provide a combination of up and down light. Available in your choice of Matte White or Bronze.



*max overall height

MEASUREMENTS

DIMENSION : 43.75" W x 14.25" H
 MAX OAH : 134.5" OAH
 CANOPY : 3.6" W x 2.2" H x 21.8" L
 HANGING WEIGHT : 7.9 lb

LAMPING

INPUT VOLTAGE : 120V
 LUMENS : 3,010 Rated
 BULB : 9 x 43W LED PCB Integrated , 43W Total
 BULB INCLUDED : (Integrated)
 DIMMABLE : Electronic Low Voltage (ELV)
 CRI : 80+ CRI
 COLOR_TEMP : 3000K

FINISHES OPTION

- Bronze (BZ)
- Matte White (MW)

MATERIAL

Aluminum

ADDITIONAL

ADJUSTABLE
 OPERATING TEMPERATURE:
 -20°C (-4°F), 40°C (104°F)

Always consult a qualified electrician before installing any lighting product.



Contemporary
 Lighting™

WESTERN DISTRIBUTION CENTER (HEADQUARTER)
 253 NORTH VINELAND AVE | CITY OF INDUSTRY, CA 91746

EASTERN DISTRIBUTION CENTER
 101 GARDNER PARK | PEACHTREE CITY, GA 30269

P. 626.956.4200 | F. 626.956.4225 | maximlighting.com