






PRODUCT DESCRIPTION

Introducing a new take on the now classically modern LED ring, large illuminated spheres act as "nodes" to support the tapered aluminum channel while also providing additional down light. Featuring a CCT selectable switch, the collection conveniently allows end users to select from warmer white light to energizing bright white lighting in 5 color temperature options. The convenient functionality is matched with its performance, meeting California's JA8 Title 24 requirements. Rated to deliver higher lumens per watt and power sources that supports range voltage input and 3 in 1 dimming, this product is designed to meet the requirements of both home and commercial projects.

FINISHES OPTION

-  Black (BK)
-  Brushed Aluminum (AL)
-  Gold (GLD)

MATERIAL

Aluminum, Steel

RATINGS

Dry Location
CA Title 24



ADDITIONAL

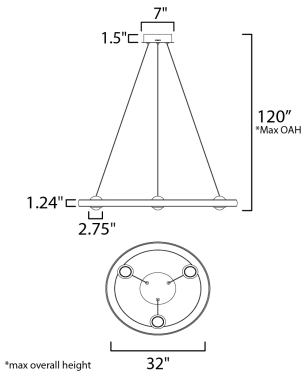
OPERATING TEMPERATURE:
-20°C (-4°F), 40°C (104°F)

MEASUREMENTS

DIMENSION : 32" L x 32" W x 2.75" H
 MAX OAH : 108" OAH
 HANGING WEIGHT : 4.12 lb

LAMPING

INPUT VOLTAGE : 120-277V
 LUMENS : 3,200 Rated (2,800 Del.)
 BULB : 1 x 40W LED CCT Select PCB , 40W Total
 BULB INCLUDED : (Integrated)
 DIMMABLE :
 CRI : 90 CRI
 COLOR_TEMP : CCT SelectK



Always consult a qualified electrician before installing any lighting product.



WESTERN DISTRIBUTION CENTER (HEADQUARTER)
 253 NORTH VINELAND AVE | CITY OF INDUSTRY, CA 91746
 EASTERN DISTRIBUTION CENTER
 101 GARDNER PARK | PEACHTREE CITY, GA 30269
 P. 626.956.4200 | F. 626.956.4225 | maxlighting.com