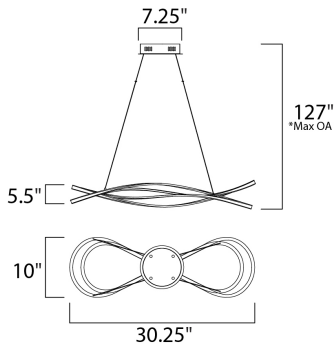




PRODUCT DESCRIPTION

Take a ride on this fun lighting collection featuring channel of Polished Chrome skillfully formed in a twisted design. Unique in its approach, light is distributed in all directions and is fully dimmable.



*max overall height

MEASUREMENTS

- DIMENSION : 30.25" L x 10" W x 5.5" H
- MAX OAH : 127" OAH
- CANOPY : 7.25" W x 2" H x 7.25" L
- HANGING WEIGHT : 5.17 lb

LAMPING

- INPUT VOLTAGE : 120-277V
- LUMENS : 3,360 Rated (2,140 Del.)
- BULB : 1 x 48W LED PCB Integrated , 48W Total
- BULB INCLUDED : (Integrated)
- DIMMABLE : Only at 120V with ELV
- CRI : 90+ CRI
- COLOR_TEMP : 3000K

FINISHES OPTION

- Polished Chrome (PC)

MATERIAL

Steel, Aluminum, Silicone

RATINGS

cETLus
Damp Location



ADDITIONAL

ADJUSTABLE
RATED LIFE 27000 Hours
OPERATING TEMPERATURE:
-20°C (-4°F), 40°C (104°F)

Always consult a qualified electrician before installing any lighting product.



WESTERN DISTRIBUTION CENTER (HEADQUARTER)
253 NORTH VINELAND AVE | CITY OF INDUSTRY, CA 91746
EASTERN DISTRIBUTION CENTER
101 GARDNER PARK | PEACHTREE CITY, GA 30269
P. 626.956.4200 | F. 626.956.4225 | maxlighting.com