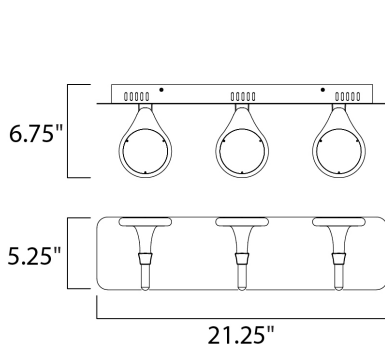




PRODUCT DESCRIPTION

This serpent-like design is formed using Polished Chrome castings with an edge lit LED panel mounted in the top facing down. The result is a uniquely styled vanity light with excellent and even lumen output, sure to enhance the beauty of your room.



MEASUREMENTS

DIMENSION : 21.25" L x 6.75" W x 5.25" H x 6.75" Ext
 BACK PLATE : 21.25" W x 5.25" H x 2.75" HCO
 HANGING WEIGHT : 5.5 lb

LAMPING

INPUT VOLTAGE : 120V
 LUMENS : 1,155 Rated
 BULB : 3 x 5.5W LED PCB Integrated , 16W Total
 BULB INCLUDED : (Integrated)
 DIMMABLE : Triac CL
 CRI : 80+ CRI
 COLOR_TEMP : 3000K
 LIGHTING_DIRECTION : Down

FINISHES OPTION

 Polished Chrome (PC)

MATERIAL

Acrylic, Stainless Steel, Aluminum

RATINGS

cETLus
 Damp Location



ADDITIONAL

INSTALL UP/DOWN: Up
 RATED LIFE 30000 Hours
 OPERATING TEMPERATURE:
 -20°C (-4°F), 40°C (104°F)

Always consult a qualified electrician before installing any lighting product.



Contemporary
 Lighting™

WESTERN DISTRIBUTION CENTER (HEADQUARTER)
 253 NORTH VINELAND AVE | CITY OF INDUSTRY, CA 91746

EASTERN DISTRIBUTION CENTER
 101 GARDNER PARK | PEACHTREE CITY, GA 30269

P. 626.956.4200 | F. 626.956.4225 | maximlighting.com