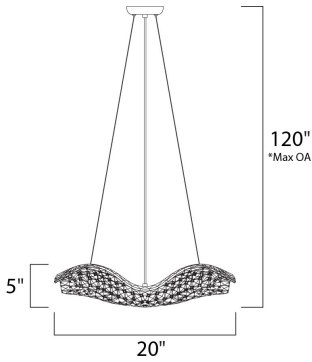




PRODUCT DESCRIPTION

Sheets of clear beveled Crystal are suspended from frames of Polished Chrome and allowed to drape in natural waves of light. All powered by xenon lamps, the Wave collection sparkles as light reflects from a multitude of angles.



*max overall height

MEASUREMENTS

- DIMENSION : 20" L 5" H
- MAX OAH : 120" OAH
- HANGING WEIGHT : 10.36 lb

LAMPING

- INPUT VOLTAGE : 120V
- LUMENS : 4,000 Rated
- BULB : 8 x 40W Xenon G9 , 320W Total
- BULB INCLUDED : (Included)
- DIMMABLE : Yes
- CRI : 80+ CRI
- COLOR_TEMP : 2900K

FINISHES OPTION



GLASS

Crystal 20

MATERIAL

Crystal, Steel

RATINGS

cETLus
Dry Location



ADDITIONAL

RATED LIFE 2000 Hours
OPERATING TEMPERATURE:
-20°C (-4°F), 40°C (104°F)

Always consult a qualified electrician before installing any lighting product.



WESTERN DISTRIBUTION CENTER (HEADQUARTER)
253 NORTH VINELAND AVE | CITY OF INDUSTRY, CA 91746
EASTERN DISTRIBUTION CENTER
101 GARDNER PARK | PEACHTREE CITY, GA 30269
P. 626.956.4200 | F. 626.956.4225 | maxlighting.com