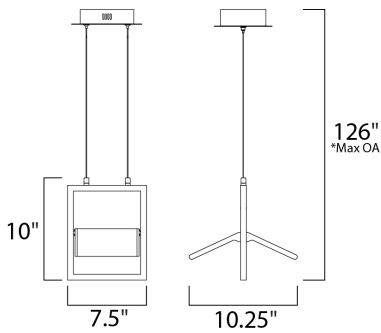


PRODUCT DESCRIPTION

Wings of extruded aluminum encase dual edge-lit LED panels which evenly distribute light to the surface below. The Black metal frame is accented with Polished Chrome end caps for striking contrast. The pendant and plug in lamps pivot in the center to allow you to direct the light.



*max overall height

MEASUREMENTS

- DIMENSION : 10.25" L x 10.25" W x 10" H
- MAX OAH : 126" OAH
- HANGING WEIGHT : 13.2 lb

LAMPING

- INPUT VOLTAGE : 120V
- LUMENS : 700 Rated (425 Del.)
- BULB : 1 x 10W LED PCB Integrated , 10W Total
- BULB INCLUDED : (Integrated)
- DIMMABLE : Triac CL
- CRI : 80+ CRI
- COLOR_TEMP : 3000K

FINISHES OPTION

- Black / Polished Chrome (BKPC)

MATERIAL

Steel, Aluminum

RATINGS

cETLus
Dry Location



ADDITIONAL

ADJUSTABLE
RATED LIFE 40000 Hours
OPERATING TEMPERATURE:
-20°C (-4°F), 40°C (104°F)

Always consult a qualified electrician before installing any lighting product.



WESTERN DISTRIBUTION CENTER (HEADQUARTER)
253 NORTH VINELAND AVE | CITY OF INDUSTRY, CA 91746
EASTERN DISTRIBUTION CENTER
101 GARDNER PARK | PEACHTREE CITY, GA 30269
P. 626.956.4200 | F. 626.956.4225 | maximlighting.com