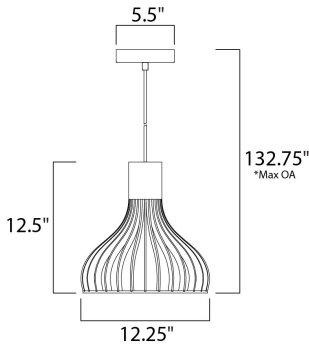


PRODUCT DESCRIPTION

Fins of high quality acrylic are bound together with Polished Chrome trim and illuminated from the top with high power LED. The light from the LED optically travels through the acrylic and mysteriously illuminates the frame as well as the surface below.



*max overall height

MEASUREMENTS

- DIMENSION : 12.25" L x 12.25" W x 12.5" H
- MAX OAH : 132.75" OAH
- CANOPY : 5.5" W x 1.38" H x 5.5" L
- HANGING WEIGHT : 7.26 lb

LAMPING

- INPUT VOLTAGE : 120V
- LUMENS : 700 Rated
- BULB : 1 x 10W LED PCB Integrated , 10W Total
- BULB INCLUDED : (Integrated)
- DIMMABLE : Triac CL
- CRI : 80+ CRI
- COLOR_TEMP : 3000K

FINISHES OPTION

- Polished Chrome (PC)

MATERIAL

Steel, Aluminum, Lucite Acrylic

RATINGS

cETLus
Location



ADDITIONAL

ADJUSTABLE
OPERATING TEMPERATURE:
-20°C (-4°F), 40°C (104°F)

Always consult a qualified electrician before installing any lighting product.



WESTERN DISTRIBUTION CENTER (HEADQUARTER)
253 NORTH VINELAND AVE | CITY OF INDUSTRY, CA 91746
EASTERN DISTRIBUTION CENTER
101 GARDNER PARK | PEACHTREE CITY, GA 30269
P. 626.956.4200 | F. 626.956.4225 | maximlighting.com