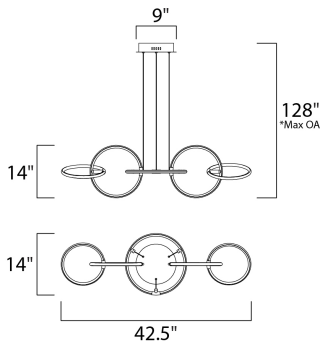




PRODUCT DESCRIPTION

Rings of Black with Polished Chrome accents adjust to create interesting shapes and configurations. Illuminated by LED strips, this collection combines ultimate energy savings and adjustable light dispersion.



*max overall height

MEASUREMENTS

DIMENSION : 42.5" L x 14" W x 14" H
 MAX OAH : 128" OAH
 CANOPY : 9" W x 2" H x 9" L
 HANGING WEIGHT : 6.8 lb

LAMPING

INPUT VOLTAGE : 120V
 LUMENS : 4,130 Rated
 BULB : 5 x 59W LED PCB Integrated , 59W Total
 BULB INCLUDED : (Integrated)
 DIMMABLE : Triac CL
 CRI : 80+ CRI
 COLOR_TEMP : 3000K

FINISHES OPTION

 Black / Polished Chrome (BKPC)

MATERIAL

Metal, Aluminum, Acrylic

RATINGS

cETLus
 Dry Location



ADDITIONAL

ADJUSTABLE
 OPERATING TEMPERATURE:
 -20°C (-4°F), 40°C (104°F)

Always consult a qualified electrician before installing any lighting product.



Contemporary
 Lighting™

WESTERN DISTRIBUTION CENTER (HEADQUARTER)
 253 NORTH VINELAND AVE | CITY OF INDUSTRY, CA 91746

EASTERN DISTRIBUTION CENTER
 101 GARDNER PARK | PEACHTREE CITY, GA 30269

P. 626.956.4200 | F. 626.956.4225 | maximlighting.com