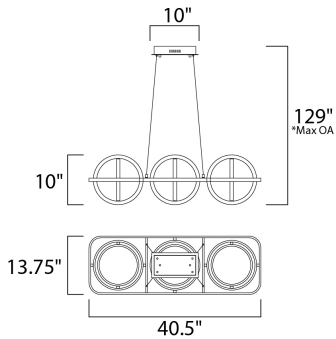




PRODUCT DESCRIPTION

A very unique and interesting design that features concentric bands of Polished Chrome or Black that rotate on 3 axis points and adjusts in multiple directions similar to a gyro. The edge of each slender band encases a small LED strip covered by a frosted lens. This work of art is so much more than just a lighting fixture.



*max overall height


MEASUREMENTS

DIMENSION : 40.5" L x 13.75" W x 10" H
 MAX OAH : 129" OAH
 CANOPY : 4.75" W x 2" H x 10" L
 HANGING WEIGHT : 9.24 lb

LAMPING

INPUT VOLTAGE : 120V
 LUMENS : 5,140 Rated
 BULB : 6 x 73W LED PCB Integrated , 73W Total
 BULB INCLUDED : (Integrated)
 DIMMABLE : Triac CL
 CRI : 80+ CRI
 COLOR_TEMP : 3000K

FINISHES OPTION

 Black / Polished Chrome (BKPC)

MATERIAL

Aluminum, Metal, Acrylic

RATINGS

cETLus
 Dry Location



ADDITIONAL

ADJUSTABLE
 SLOPE: 120
 OPERATING TEMPERATURE:
 -20°C (-4°F), 40°C (104°F)

Always consult a qualified electrician before installing any lighting product.



WESTERN DISTRIBUTION CENTER (HEADQUARTER)
 253 NORTH VINELAND AVE | CITY OF INDUSTRY, CA 91746
 EASTERN DISTRIBUTION CENTER
 101 GARDNER PARK | PEACHTREE CITY, GA 30269
 P. 626.956.4200 | F. 626.956.4225 | maximlighting.com