



**PRODUCT DESCRIPTION**

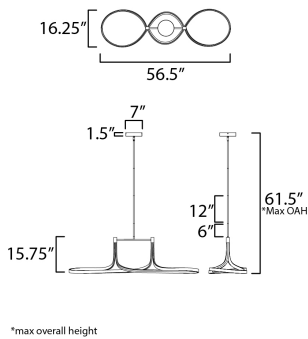
Spiraling sinews of LED tape light swirl in a snake like formation. Black aluminum channels are illuminated by strips of LED tape evenly diffused across a silicone lens. These sleek, modern designs, which come in two pendant sizes and a semi-flush mount, are sure to make a statement.

**MEASUREMENTS**

DIMENSION : 56.5" L x 16.25" W x 15.75" H  
 MAX OAH : 61.5" OAH  
 CANOPY : 7" W x 1.5" H x 7" L  
 HANGING WEIGHT : 10 lb

**LAMPING**

INPUT VOLTAGE : 120-277V  
 LUMENS : 6,240 Rated (4,640 Del.)  
 BULB : 2 x 39W LED DC Integrated , 78W Total  
 BULB INCLUDED : (Integrated)  
 DIMMABLE : Triac CL  
 CRI : 90 CRI  
 COLOR\_TEMP : 3000K



**FINISHES OPTION**

 Black (BK)

**MATERIAL**

Aluminum, Steel, Silicone

**RATINGS**

cETLus  
 Dry Location



**ADDITIONAL**

RATED LIFE 50000 Hours  
 OPERATING TEMPERATURE:  
 -20°C (-4°F), 40°C (104°F)

Always consult a qualified electrician before installing any lighting product.



WESTERN DISTRIBUTION CENTER (HEADQUARTER)  
 253 NORTH VINELAND AVE | CITY OF INDUSTRY, CA 91746  
 EASTERN DISTRIBUTION CENTER  
 101 GARDNER PARK | PEACHTREE CITY, GA 30269  
 P. 626.956.4200 | F. 626.956.4225 | maxlighting.com