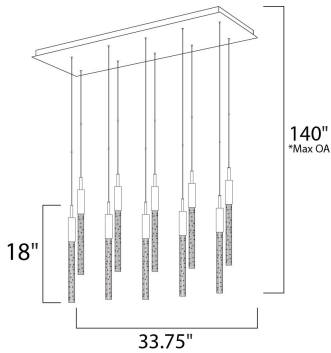




**PRODUCT DESCRIPTION**

Slender beveled cut rods of bubble glass, illuminated by high power LED modules, suspend in an array of fashionable configurations. Available in Black Chrome with Clear bubble glass and Anodized Bronze with Champagne bubble glass.



\*max overall height



**MEASUREMENTS**

DIMENSION : 33.75" L x 11" W x 18" H  
 MAX OAH : 140" OAH  
 HANGING WEIGHT : 24.2 lb

**LAMPING**

INPUT VOLTAGE : 120V  
 LUMENS : 5,250 Rated (2,250 Del.)  
 BULB : 1 x 7.5W LED PCB Integrated , 75W Total  
 BULB INCLUDED : (Integrated)  
 DIMMABLE : ELV or Triac  
 CRI : 90 CRI  
 COLOR\_TEMP : 3000K

**FINISHES OPTION**

-  Anodized Bronze (BRZ)
-  Black Chrome (BC)

**GLASS**

Champagne Bubble Crystal 118

**MATERIAL**

Steel

**RATINGS**

cETLus  
 Dry Location



**ADDITIONAL**

ADJUSTABLE  
 RATED LIFE 35000 Hours  
 OPERATING TEMPERATURE:  
 -20°C (-4°F), 40°C (104°F)

Always consult a qualified electrician before installing any lighting product.



WESTERN DISTRIBUTION CENTER (HEADQUARTER)  
 253 NORTH VINELAND AVE | CITY OF INDUSTRY, CA 91746  
 EASTERN DISTRIBUTION CENTER  
 101 GARDNER PARK | PEACHTREE CITY, GA 30269  
 P. 626.956.4200 | F. 626.956.4225 | maxlighting.com