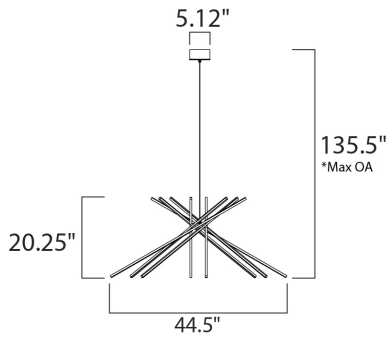




PRODUCT DESCRIPTION



*max overall height




MEASUREMENTS

- DIMENSION : 44.5" L x 44.5" W x 20.25" H
- MAX OAH : 135.5" OAH
- CANOPY : 5" W x 2.25" H x 5" L
- HANGING WEIGHT : 11.08 lb

LAMPING

- INPUT VOLTAGE : 120V
- LUMENS : 4,200 Rated (3,932 Del.)
- BULB : 8 x 60W LED PCB Integrated , 60W Total
- BULB INCLUDED : (Integrated)
- DIMMABLE : Triac CL
- CRI : 90+ CRI
- COLOR_TEMP : 3000K

FINISHES OPTION

-  Black (BK)
-  Satin Aluminum (SA)
-  White (WT)

MATERIAL

Aluminum, Acrylic

RATINGS

cETLus
Damp Location



ADDITIONAL

ADJUSTABLE
RATED LIFE 40000 Hours
OPERATING TEMPERATURE:
-20°C (-4°F), 40°C (104°F)

Always consult a qualified electrician before installing any lighting product.



Contemporary
Lighting™

WESTERN DISTRIBUTION CENTER (HEADQUARTER)
253 NORTH VINELAND AVE | CITY OF INDUSTRY, CA 91746

EASTERN DISTRIBUTION CENTER
101 GARDNER PARK | PEACHTREE CITY, GA 30269

P. 626.956.4200 | F. 626.956.4225 | maxlighting.com