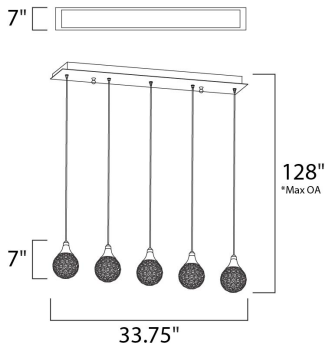




**PRODUCT DESCRIPTION**

With formed metal spheres of Polished Chrome framing multifaceted crystal jewelry, the Brilliant Collection adds a touch of contemporary elegance to any design space. The illumination of xenon lamps reflecting through the crystal offers added brilliance by creating a spectrum of color.



\*max overall height

**MEASUREMENTS**

DIMENSION : 33.75" L x 7" W x 7" H  
 MAX OAH : 128" OAH  
 HANGING WEIGHT : 8.84 lb

**LAMPING**

INPUT VOLTAGE : 120V  
 LUMENS : 2,500 Rated  
 BULB : 5 x 40W Xenon G9 , 200W Total  
 BULB INCLUDED : (Included)  
 DIMMABLE : Yes  
 COLOR\_TEMP : 2900K

**FINISHES OPTION**

 Polished Chrome (PC)

**GLASS**

Crystal 20

**MATERIAL**

Steel, Crystal

**RATINGS**

cETLus  
 Dry Location



**ADDITIONAL**

RATED LIFE 2000 Hours  
 OPERATING TEMPERATURE:  
 -20°C (-4°F), 40°C (104°F)

Always consult a qualified electrician before installing any lighting product.



WESTERN DISTRIBUTION CENTER (HEADQUARTER)  
 253 NORTH VINELAND AVE | CITY OF INDUSTRY, CA 91746  
 EASTERN DISTRIBUTION CENTER  
 101 GARDNER PARK | PEACHTREE CITY, GA 30269  
 P. 626.956.4200 | F. 626.956.4225 | maximlighting.com